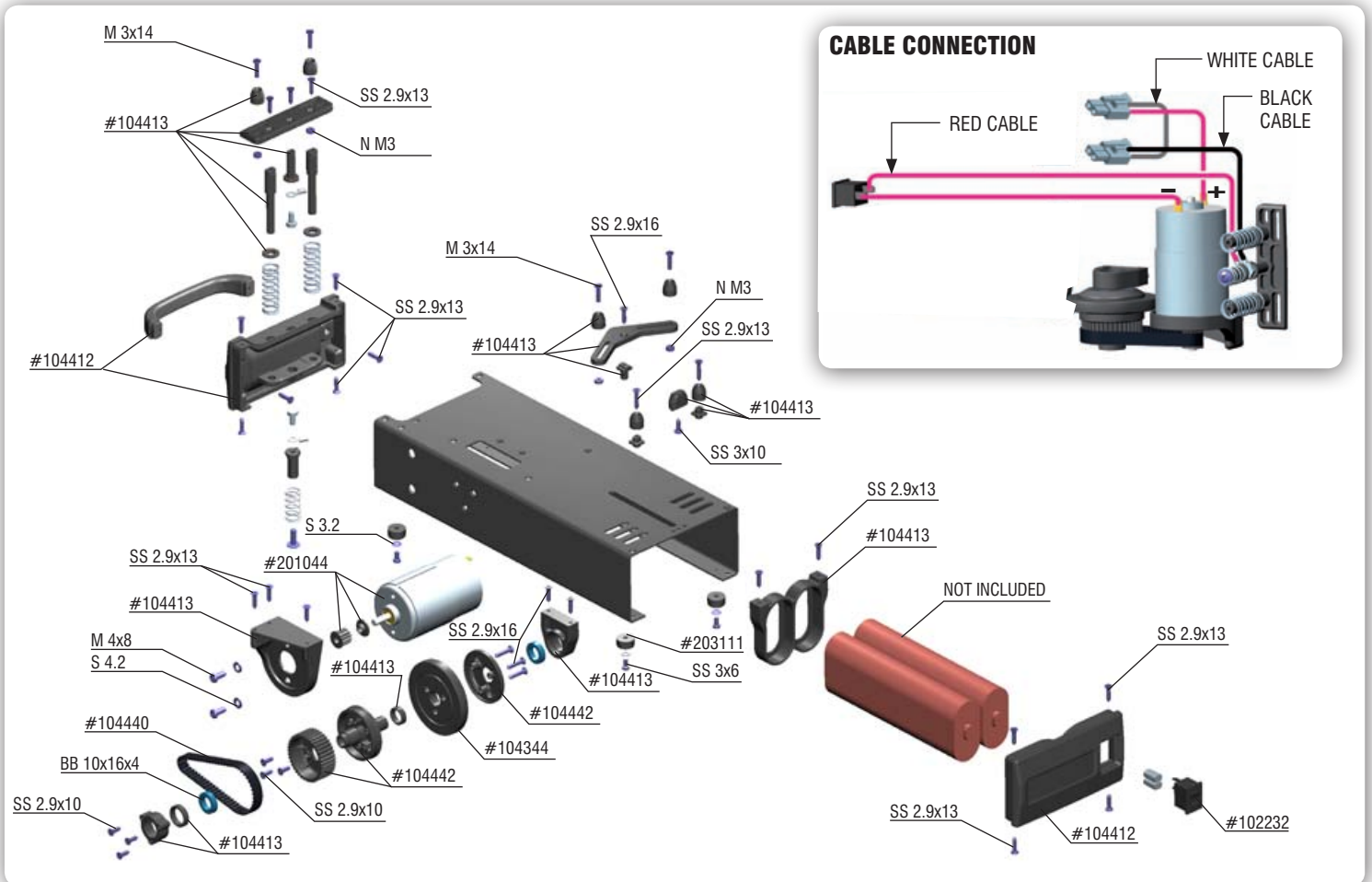


EXCLUSIVE PROFESSIONAL HUDY STAR-BOX



The HUDY Star-Box is a unique starter box designed for 1/10 & 1/8 nitro on-road cars; the ultimate star among all starter boxes on the market! The world's lowest, ultra-compact starter box design has a very light weight, only 575g/1.27lb (w/o batteries). The unique design allows the support bracket to get below the surface cover to stand out the starting wheel ensuring maximum efficiency & engagement of starter wheel. Adjustable backstops allow you to fit 1/10 and 1/8 on-road cars.

The Star-Box has an ultra-cool stylish design and comes fully assembled, ready to use. The premium quality, long-life drive belt system runs off a powerful 775-type motor (with fan) which is powered by two standard-size 7.2V battery stick packs (not included). The CNC-machined aluminum housing has a high-quality black-coating for extra durability. Countersunk housing screws are recessed with the surface to eliminate unwanted protrusions. An integrated switch for comfortable on/off switching is attached to a premium-quality wiring harness with extra-thick cables and quick-change fast-on connectors; no soldering required. The quick-change starter wheel system was designed to allow for fast & simple replacement of the starter wheel; only 3 screws! An integrated composite handle with ergonomic back cover allows for comfortable carrying.



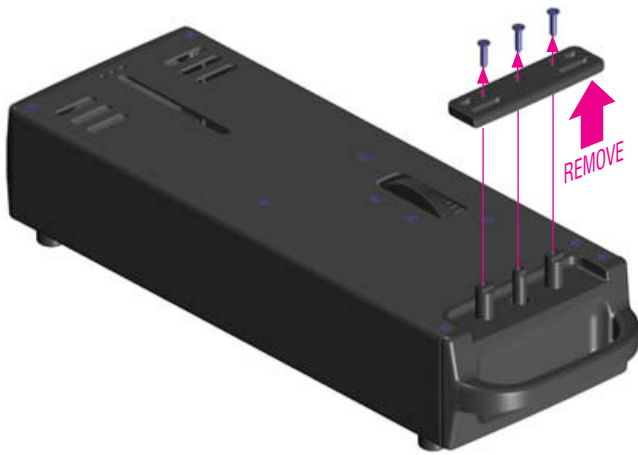
#102232 POWER SWITCH (ON-OFF)
#104344 STARTER WHEEL
#104412 COMPOSITE SIDE COVERS & HANDLE

#104413 COMPOSITE SPARE PARTS SET
#104440 PUR-REINFORCED BELT 8 x 192MM
#104442 STARTER WHEEL ADAPTER, PULLEY & COVER

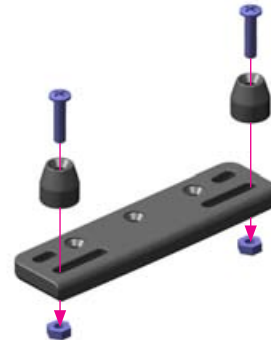
#201044 STARTER BOX MOTOR
#203111 BLACK RUBBER FEET (4)

FINAL ASSEMBLY & ADJUSTMENT

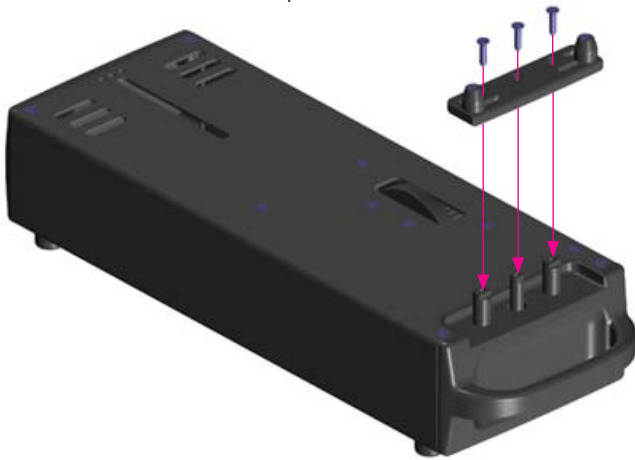
❶ Remove the rear chassis bracket plate.



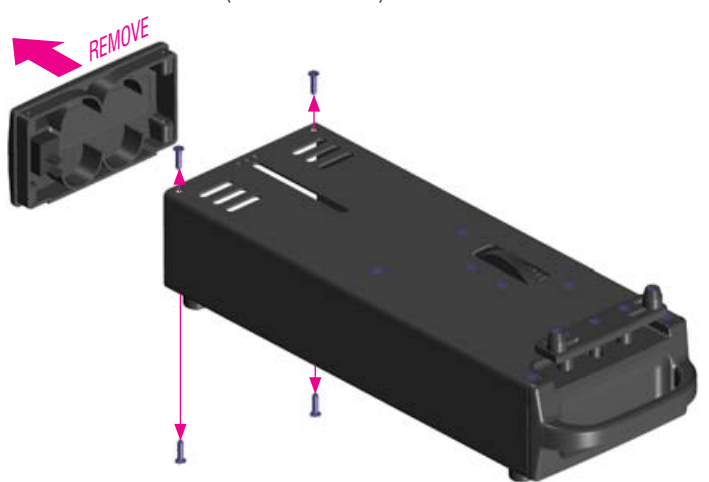
❷ Install bracket plate posts using M3x14 screws and M3 nuts. Do not tighten the screws fully; they will be set later.



❸ Reattach the rear chassis bracket plate.



❹ Remove the end cover (without the handle).



❺ STARTER WHEEL POSITION

5.1 1/10 ON-ROAD CARS:

This is the **FACTORY DEFAULT SETTING**.

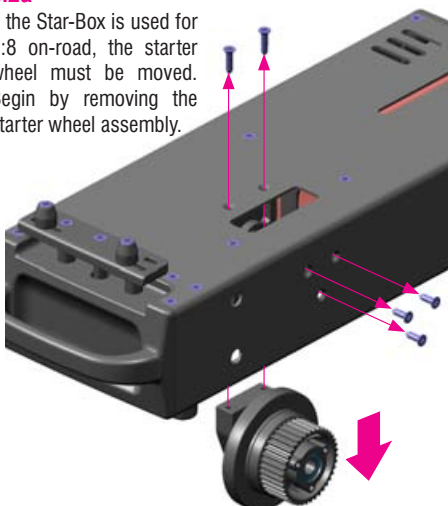
Shim placement is as shown; wheel is more toward the centerline of the Star-Box.



5.2 1/8 ON-ROAD CARS:

5.2a

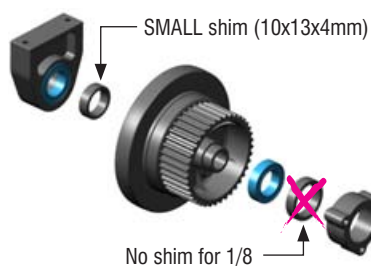
If the Star-Box is used for 1:8 on-road, the starter wheel must be moved. Begin by removing the starter wheel assembly.



5.2b

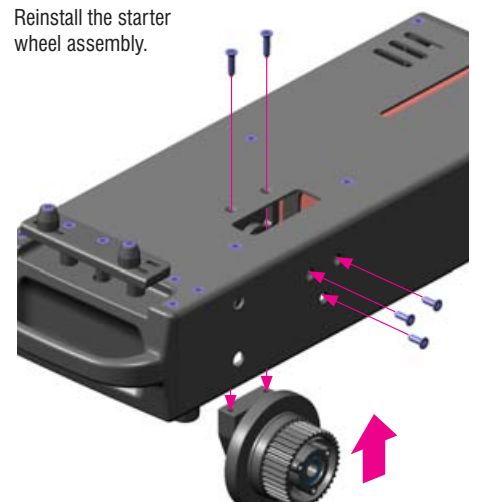
Set the shims as shown. The small shim is in the small package included with the Star-Box.

Wheel is more toward the side of the Star-Box.



5.2c

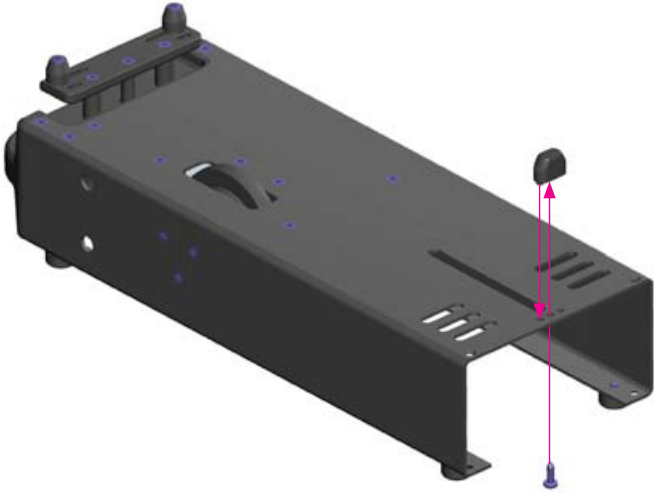
Reinstall the starter wheel assembly.



6 CHASSIS BRACKETS

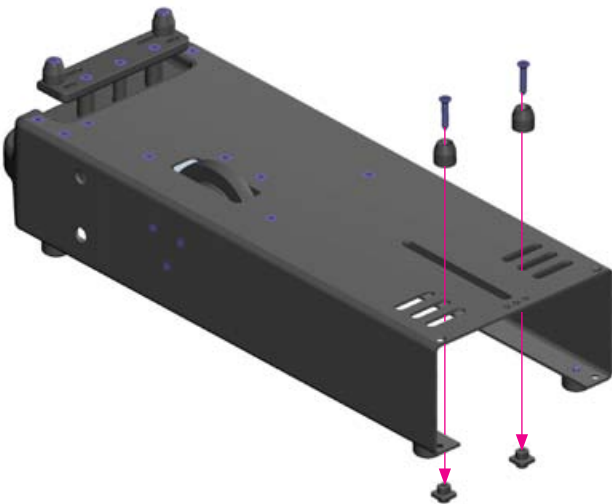
Alternative A (XRAY NT1)

Install the front chassis bracket plate as shown.

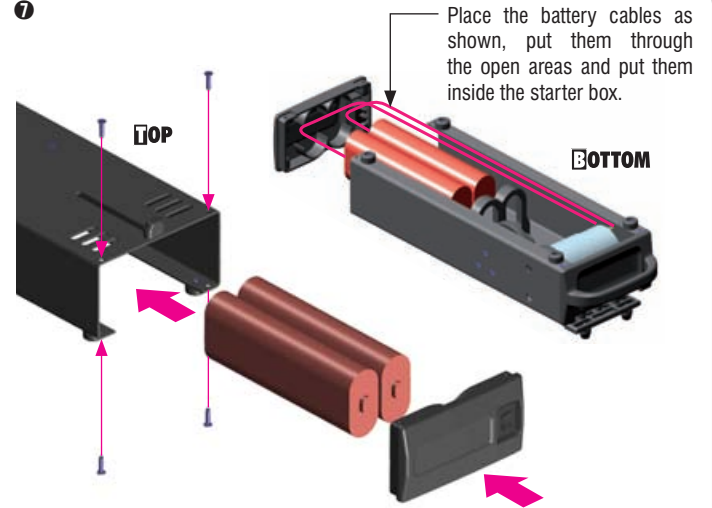


Alternative B

Install bracket plate posts using M3x14 screws. Do not tighten the screws fully; they will be set later.



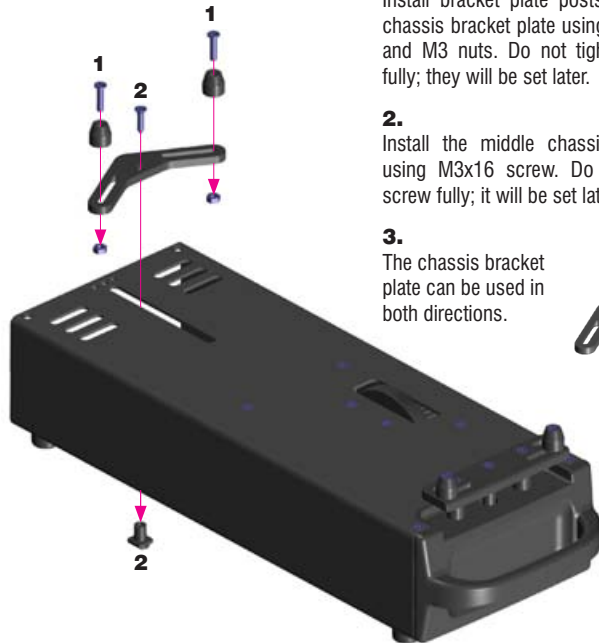
7



The Star-Box uses 2 standard 6-cell 7.2V battery packs (NOT INCLUDED).

To install the battery packs, insert the battery packs through the battery slots and route the cables within the slot. Reinstall the rear cover.

Alternative C



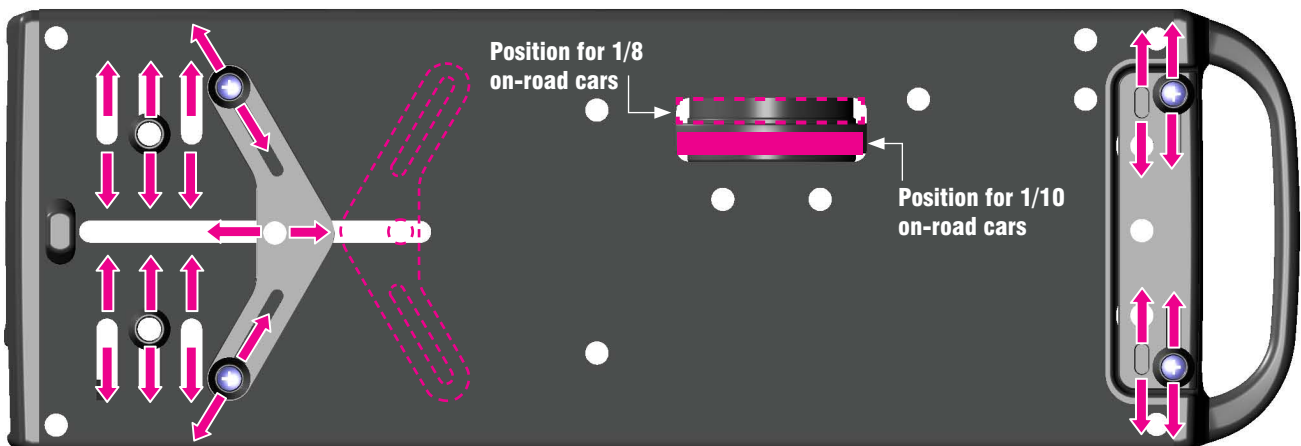
1. Install bracket plate posts on the middle chassis bracket plate using M3x14 screws and M3 nuts. Do not tighten the screws fully; they will be set later.

2. Install the middle chassis bracket plate using M3x16 screw. Do not tighten the screw fully; it will be set later.

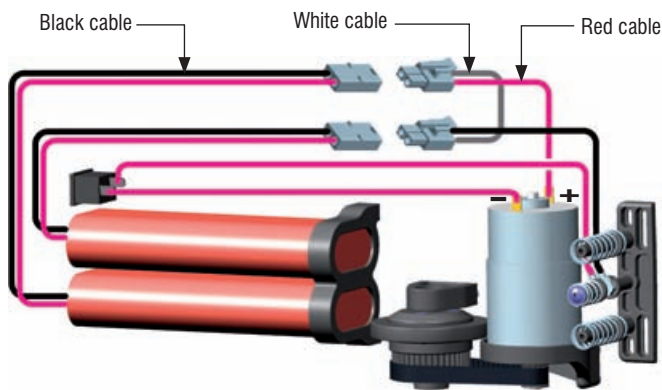
3. The chassis bracket plate can be used in both directions.

FORWARD
DIRECTION
BACKWARD
DIRECTION

8 Place the car on the Star-Box so that the engine flywheel aligns with the starter wheel. If the car does not fit the back-stop properly, adjust the stops accordingly. Before placing the car on the Star-Box, operate the Star-Box to ensure the starter wheel spins in the proper direction.



BATTERY CONNECTION



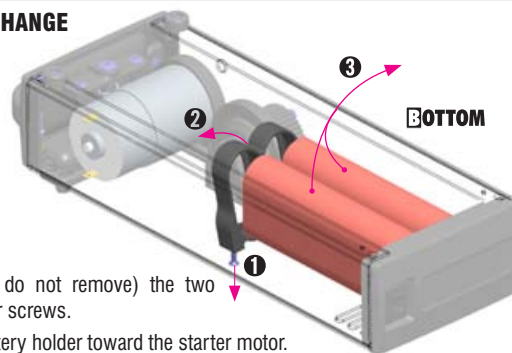
FINAL ASSEMBLY VIEW



OPERATING THE STAR-BOX:

- 1 Make sure the batteries are connected.
- 2 Turn the on/off switch to the ON position.
- 3 Press down on the rear bracket until the starter wheel turns. Make sure the wheel turns in the proper direction (toward front of Star-Box).
- 4 Prepare your car for starting, place & align on the Star-Box, push down the rear so the starter wheel engages the engine flywheel.
- 5 Remove the car (carefully) once the engine is running properly.

BATTERY EXCHANGE



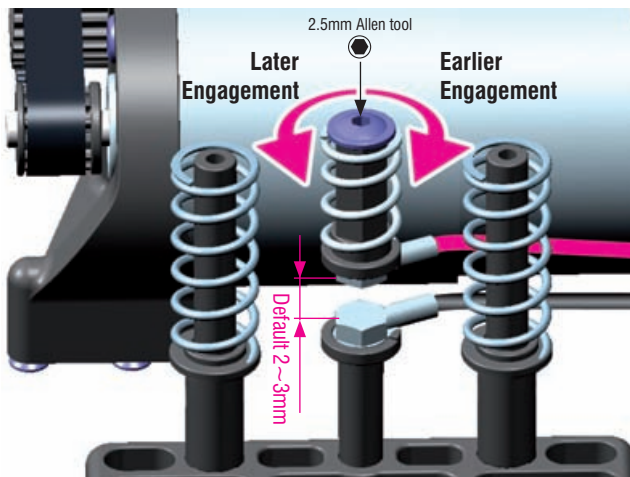
- 1 Loosen (but do not remove) the two battery holder screws.
- 2 Move the battery holder toward the starter motor.
- 3 Remove the two battery packs from the starter box and insert new batteries in the same position. Return the battery holder to its original position (over the packs) and retighten the screws.

ADDITIONAL ADJUSTMENT

ENGAGEMENT

The Star-Box is pre-adjusted from the factory, so there should be no immediate need for adjustment.

However, you can easily adjust the Star-Box engagement by tightening or loosening the adjusting screw to give earlier or later engagement, respectively.



IMPORTANT NOTES – ELECTRICAL

- Do not disassemble the battery pack or cut battery cables. If the running battery short-circuits, approximately 300W of electricity can be discharged, leading to fire or burns. Never disassemble the battery pack or cut battery cables.
- Use a recommended charger for the battery pack and follow the instructions correctly. Over-charging, incorrect charging, or using inferior chargers can cause the battery pack to become dangerously hot. Recharge battery when necessary. Continual recharging may damage battery and, in the worst case, could build up heat leading to fire. If battery becomes extremely hot during recharging, please ask your local hobby shop for check and/or repair and/or replace the battery.
- Regularly check your charger for potential hazards such as damage to the cable, plug, casing or other defects. Ensure that any damage is rectified before using the charger again. Modifying the charger may cause a short-circuit or overcharging leading to a serious accident. DO NOT modify the charger.
- Always unplug the charger when recharging is finished.
- Do not recharge the battery while it is still warm. After use, the battery retains heat. Wait until it cools down before charging.
- Disconnect and remove the battery pack if you plan to not use the Star-Box for an extended period of time (e.g., several days).

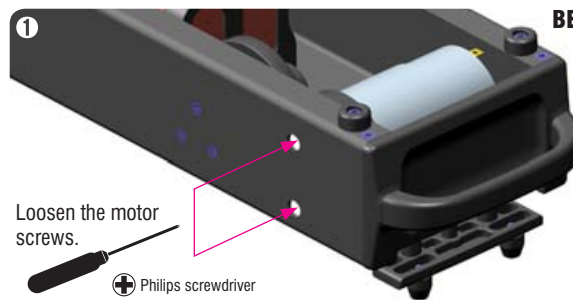
⚠ PRECAUTIONS

- Do not allow water, moisture, fuel or foreign objects to come in contact with the motor.
- Always turn the starter box "off" when not in use.
- Always disconnect the batteries before attempting to work on the Star-Box.
- Make sure all parts & components are tight before operating the Star-Box.
- Use extreme caution when working on the Star-Box; it contains rotating parts that can potentially cause serious personal injury.

MAINTENANCE

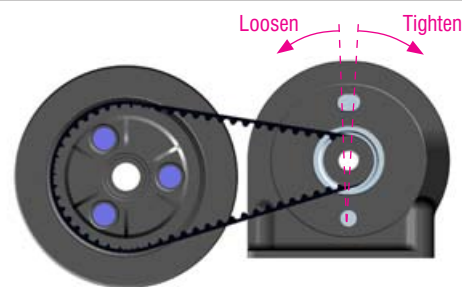
- Remove excess build-up of debris, dirt, fuel, etc. from the Star-Box to ensure proper, clean operation. Do not use solvent-based chemicals to clean the components of the Star-Box.

BELT TENSION



- 2 **TIGHTENING THE BELT:**
Pivot the motor AWAY FROM the starter wheel.

- 2 **LOOSENING THE BELT:**
Pivot the motor TOWARD the starter wheel.



- 3 Tighten the motor screws.

OPERATING TIPS

- Inspect the Star-Box wiring and components before each use, and do not use the Star-Box if any wiring or components appear to be damaged, cut, or worn.
- Before placing a car on the Star-Box, operate the Star-Box to ensure the starter wheel spins in the proper direction.
- If the car's nitro engine seizes at TDC while the car is on the Star-Box, do not continue to try starting the engine; damage will result to the Star-Box and the engine flywheel. Rotate the nitro engine flywheel until the piston is at BDC and try starting the car again.
- When the starter wheel speed is noticeably reduced, you should fully charge the battery pack.

⚠ WARNING

Take enough safety precautions prior to operating this product. You are responsible for safe operation. Improper operations may cause personal and/or property damage. HUDY has no control over over damage resulting from shipping, improper construction, or improper usage. HUDY assumes and accepts no responsibility for personal and/or property damages resulting from the use of improper building materials, equipment and operations. By the act of assembling and operating this product, the user accepts all resulting liability. If the buyer is not prepared to accept this liability, then he/she should return this product in new, unassembled, and unused condition to the place of purchase. This product is not a toy, it is a high quality professional starter box for 1/10 and 1/8 on-road RC cars for persons age 16 and older. Content of box may differ from picture. In line with our policy of continuous product development, the exact specifications of this product may vary without prior notice. HUDY guarantees this product to be free from defects in both material and workmanship. The total monetary value under warranty will in no case exceed the cost of the original product purchased. This warranty does not cover any components damaged by use or modification or as a result of wear. Part or parts missing must be reported within 60 days of purchase. No part or parts will be sent under warranty without proof of purchase. Should you find a defective or missing part, contact the local distributor. Service and customer support will be provided through local hobby shop store where you have purchased this product. HUDY and HUDY USA are registered trademarks of HUDY.